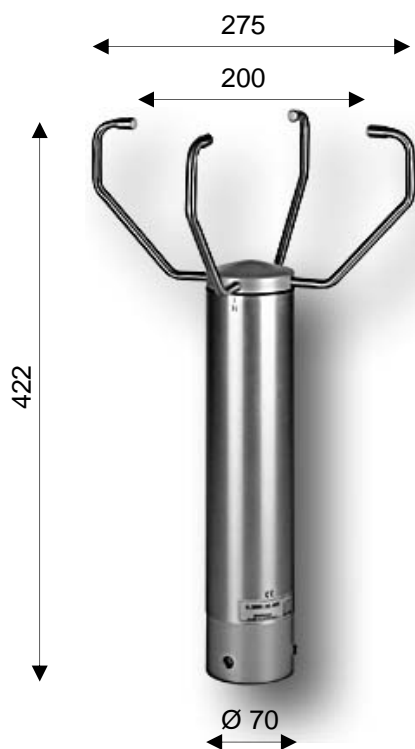


ALIZIA 310 :

Wind intelligent sensor fitted to the icing



The sensors fitted to the icing use one ultrasonic anemometer which can be heated easily. These equipments are mainly intended to be set up on mountains.

The sensors make speed and direction measurements twice a second and make the necessary calculations to the wind running according to the WMO* and ICAO** rules.

Main calculations:

Wind maximum speed and its associated direction, calculated during one and 10 minutes.

Calculated variation of wind speed and direction during 10 minutes

Wind average speed and the argument of the wind average vector during 2 and 10 minutes

Passed wind during one minute

Standard deviation of wind speed and direction during 10 minutes

Squall indicator

The intelligent sensors manage the CIBUS protocol and transmit data to one display for displaying the instantaneous values of wind

Cable : length 10m

This wind measurement line is used in the **Meteo-France** national network.

Sensor characteristics

Speed :

Range : 0-65m/s
Accuracy : ± 0.1 m/s up to 5m/s
 $\pm 2\%$ over 5m/s

Direction :

Range : 0-360°
Accuracy : $\pm 1^\circ$

Using range : -40°C70°C

Heating : 24V - 70W

Fastening on tube 1 1/2 " (40/49 in mm)



*WMO World Meteorological Organization

**ICAO International Civil Aviation Organization

48, rue de Versailles
F-91400 Orsay
France

Phone : +33 (0) 1 64 46 34 10
Fax : +33 (0) 1 64 46 25 22
Mail : info@pulsonic.net

www.pulsonic.net

