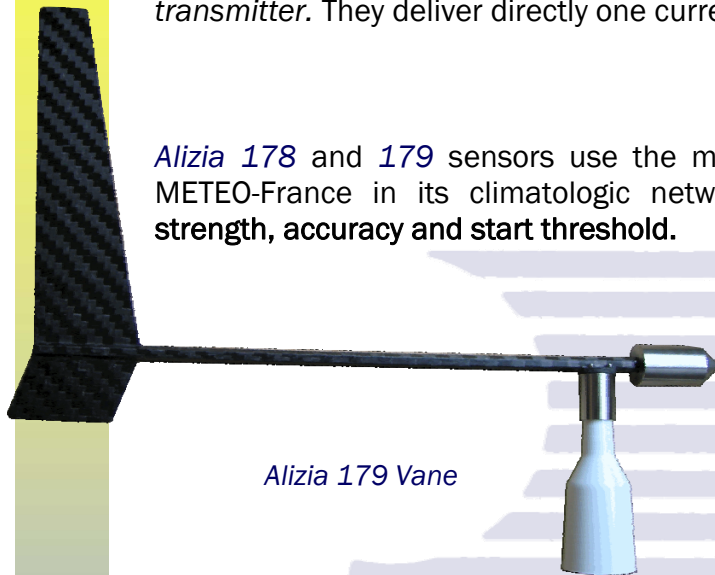


# Alizia 178 and 179

## Wind sensors with 4-20mA integrated transmitter

Alizia 178 anemometer and Alizia 179 vane are very accurate sensors with 2-wire integrated transmitter. They deliver directly one current varying from 4 to 20 mA.

Alizia 178 and 179 sensors use the main elements of Alizia 312 used by METEO-France in its climatologic networks. The main characteristics are strength, accuracy and start threshold.



Alizia 179 Vane

The 2-wire integrated transmitter allows the easy connection on display, programmable controller, data logger, etc...

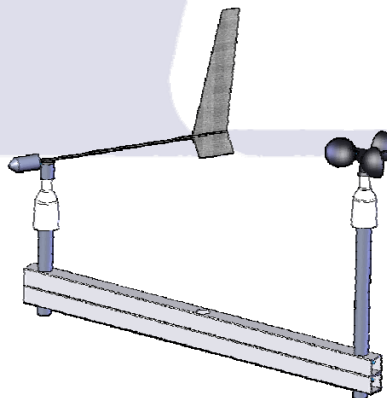


Alizia 178 Anemometer



Alizia 312

Alizia 178 and 179 sensors are designed to resist in difficult environment. The setting-up is fastened by 3 male spanner screws. The vane orientation is made thanks to a fixing system with adjustment. The connecting by detachable plug is located in the axis of the fixing arm and is protected from the water running.



Cross arm of wind sensors on a mast

48, rue de Versailles  
F-91400 Orsay  
France

Phone : +33 (0)1 64 46 34 10  
Fax : +33 (0)1 64 46 25 22  
Mail : info@pulsonic.net

www.pulsonic.net



# Characteristics

## Alizia 178 anemometer

### Wind speed

Range:	0-60m/s
Maximum:	80m/s
Start threshold:	0.5m/s
Distance constant:	3.6m
Accuracy:	0.5m/s range 0 - 10m/s 3%(*) range 10 - 60m/s

### Using

Output:	4-20 mA for 0-60m/s
Power supply:	6 to 24 Vcc
Current loop:	2 wires

### General

Sizes:	h: 180 mm - ø: 53 mm
Diameter:	170 mm
Materials:	Body in aluminium Cup in polyamide
Using range:	-20 to +70°C
Weight:	600 g
Fixing:	3 screws CHC4
Fixing on tube:	ø 30mm x 22mm

### Composition of equipment:

- Transmitter
- Cup
- Female Plug 6 pins

## Accessories :

- 4-20mA display
- Fixing on a smooth arm
- Right arm in aluminium length 1.5m
- Right arm in inox 42cm with fixing
- Cross arm for mast
- Cross arm for hinged pole
- Hinged mast height 10m

## Alizia 179 vane

### Wind direction

Range:	0-360°
Maximum:	80m/s
Start threshold:	0.6m/s
Damping factor:	> 0.3
Distance constant:	2.10m
No damped wavelength:	5.2 m
Damped wavelength:	5 m
Accuracy:	±3 degrees
No used angle:	5 ±1 degrees

### Using

Output:	4-20 mA for 0-360°
Power supply:	6 to 24Vcc
Current loop:	2 wires

### General

Sizes:	h: 150 mm - ø: 53 mm
Sweep radius:	500 mm
Materials:	Body aluminium Flag in carbon fibres
Using range:	-20 à +70°C
Weight:	800 g
Fixing:	3 screws CHC4
Fixing on tube:	ø 30mm x 22mm

### Composition of equipment:

- Transmitter
- Flag
- Female plug 6 pins

(\*) of the read value

